

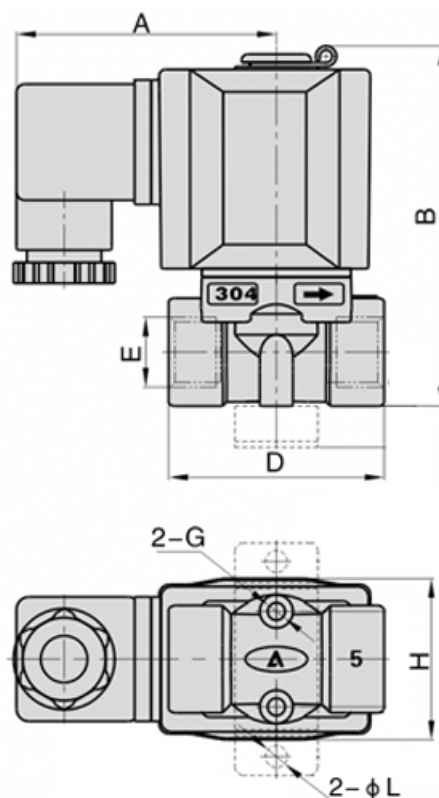
# Data Sheet



Article number: 582S05015EG

Description: Fluid ventil - 2/2 NC, D22S05015E - AC24VG  
port 1/2" - Lysning 5,0 direkte styret, rustfast

## Measures



A = 62,7

B = 87.0

D = 52

E = G 1/2"

H = 39.0